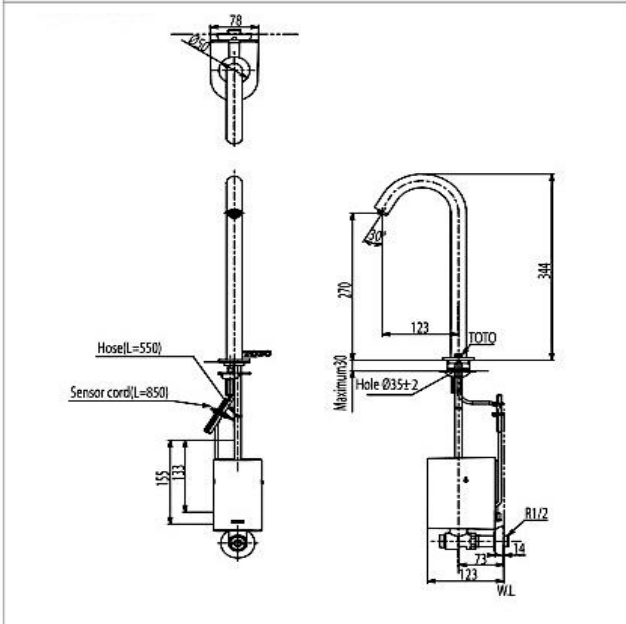


✓✓✓ Excellent



Brand

TOTO

Product Name

DLE110A2RV810 / TN78-9V800

Description

- DLE110A2RV810: Sensor tap (Cold water)
- TN78-9V800: Self-Powered Controller
- Sensor is strategically placed for accurate detection
- Low maintenance
- Meet **LEEDS** requirements with more than 40% reduction

Colour / Material

Chrome

Specifications

| | |
|----------------|-------------------------------------|
| Power Supply | : Back-up Battery + Power Generator |
| Preset Timing | : 10s |
| Flow Stream | : Bubble Type |
| Water Pressure | : 0.05MPa ~ 0.75MPa |
| Water Usage | : 1.9L/min |