

## Brand

TOTO

## Product Name

TCF23410ASG

## Description

- EWATER+ spreads out and keeps clean nozzle by preventing bacterial with sanitizing effect
- PREMIST water is sprayed inside the toilet bowl to make it difficult for dirt to adhere
- Maximized comfort function with new wide front and pulsating cleansing
- Fully equipped with comfortable rear, front and oscillating cleansing functions
- Adjustable WARM AIR DRYING and HEATED SEAT with temperature control
- Auto powerful DEODORIZER activates after every usage
- Comes with ABB F202 RCCB

## Colour / Material

White / Plastic

## Specifications

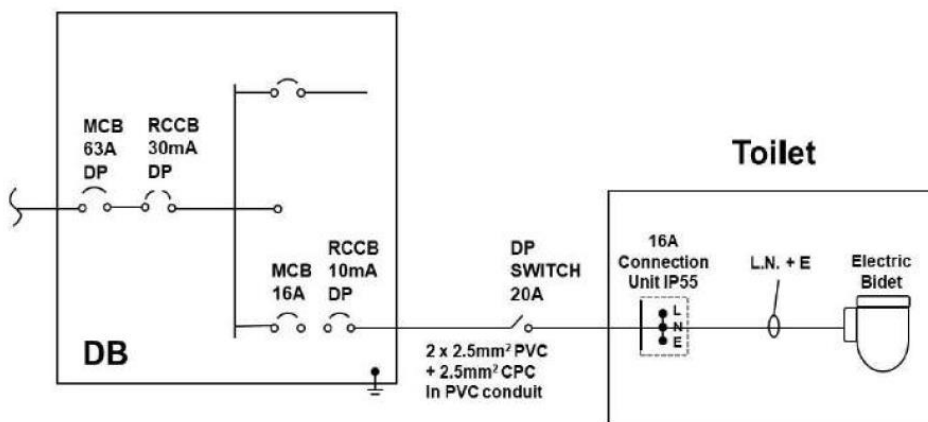
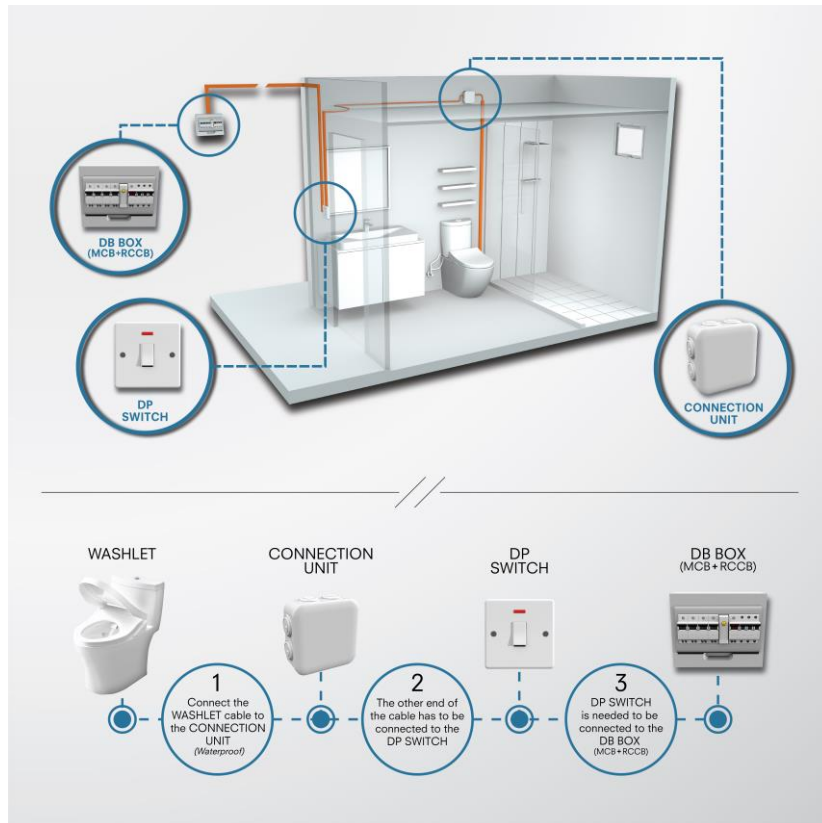
Size	: 472W x 530D x 147H mm
Water pressure	: 0.05MPa ~ 0.75MPa
Power rating	: 220~240V, 50/60Hz, 306 ~ 361W
Power cord	: 5000mm length



### WASHLET TCF23410ASG#NW1 FUNCTIONS

Hygiene Functions		Cleansing Functions		Comfort Functions	
EWATER+	●	AIR-IN WONDERWAVE		Soft Close Seat & Lid	●
PREMIST	●	Rear Cleansing	●	AUTO OPEN / CLOSE LID	
SELF-CLEANING WAND	●	Rear Soft Cleansing	●	AUTO FLUSH	
Self – Cleaning Button	●	Front Cleansing	●	HEATED SEAT	●
Clean Resin	●	Wide Front Cleansing		DRYER	●
Removable Lid	●	Oscillating Cleansing	●	DEODORIZER	●
One-Touch Removable Unit	●	Pulsating Cleansing		SOFT LIGHT	
Antibacterial Surface	●	Nozzle Position Adjustment	●	Water Heating Type	Tank
				Temperature (Water)	●
				Water Pressure	●
				Remote Control	
				Personal Setting	
				Energy Saver	●

## Electrical Installation Requirements for TOTO Washlet & Neorest



### Remarks:

The above information is a guideline and subjected to local code of practice and requirement. Please engage competent Electrical Contractor and Licensed Electrical Worker to carry out the work prior for inspection and certification.