

Brand

TOTO

Product Name

CS921VY / TCF85510GSG

Description

- NEOREST AS 'S trap' Luxurious integrated toilet with silver remote control
- EWATER+ automatically spreads out and keeps clean toilet bowl and nozzle by preventing bacteria with sanitizing effect
- New TORNADO FLUSH uses less water to produce powerful streams of water that travels along a hairpin curve of new RIMLESS DESIGN bowl creating a 360 degree of cleaning power that washes every spot
- CeFiONtect prevents debris on toilet surface
- PREMIST water is sprayed to make it difficult for dirt to adhere
- AIR-IN WONDERWAVE uses air rich water droplets to produce comfortable cleaning sensation
- HEATED SEAT with temperature control
- Auto powerful DEODORIZER activates after every usage
- Adjustable WARM AIR DRYING
- Hybrid Ecology System - WATER SAVING
- Come with ABB F202 RCCB
- Refer to 2nd page for detail functions

Colour / Material

White

Specifications

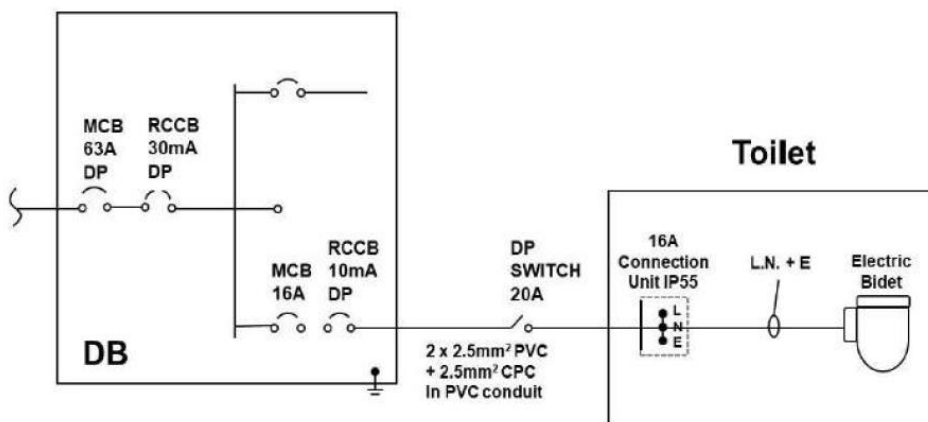
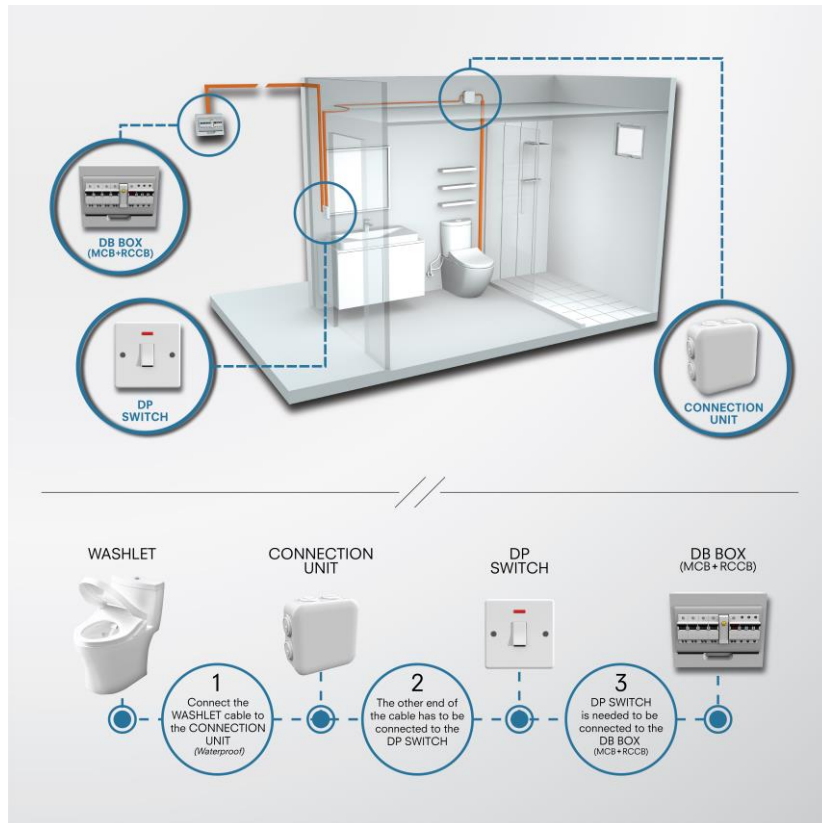
- Flush System : Tornado Flush
- Water Usage : 3.9 / 2.9L
- Rough-in : 305 mm
- Size : 386W x 692D x 512H mm
- Water Pressure : 0.05Mpa ~ 0.75Mpa
- Power Rating : 220 ~ 240V, 50/60Hz, 846~854W
- Power Cord : 5 m
- Length



NEOREST FUNCTIONS

Hygiene Functions		Cleansing Functions		Comfort Functions	
<u>Actilight</u>		Air-In Wonder-Wave	•	Auto Open / Close Lid	•
<u>Ewater +</u>	•	Rear Cleansing	•	Auto Flush	•
Tornado Flushing	•	Rear Soft Cleansing	•	Instant Heated Seat	
<u>CeFiontect</u>	•	Front Cleansing	•	Heated Seat	•
Rimless	•	Wide Front Cleansing	•	Dryer	•
<u>Premist</u>	•	Oscillating Cleansing	•	Deodorizer	•
Self-Cleaning Wand	•	Pulsating Cleansing	•	Soft Light	•
Antibacterial Feature	•	Water Pressure Control	•	Energy Save Timer	•
		Wand Position Adjustment	•	Auto Energy Saver	•
		Water Saving	•	Warm Air Drying	•

Electrical Installation Requirements for TOTO Washlet & Neorest



Remarks:

The above information is a guideline and subjected to local code of practice and requirement. Please engage competent Electrical Contractor and Licensed Electrical Worker to carry out the work prior for inspection and certification.